

# Precision Pressure Controller/Calibrator

## DPC 3800 HD

High pressure calibrations up to 1000 bar gauge pressure

### Applications

- Calibration laboratories
- Service industries and calibration services
- Laboratories for research and development
- Pressure gauge, pressure switch and sensor manufacturing resp. transmitter calibration and creation of certificates
- Long-term measurement
- Aerospace industry

### Specialties

#### Pressure Range

Gauge pressure:	0 to 400 bar	(0 to 5,000 psi)
	0 to 600 bar	(0 to 10,000 psi)
	0 to 1000 bar	(0 to 15,000 psi)

Measurement uncertainty (k = 2): 0.01 % FS

- Medium water or oil
- Pressure controller with precision pressure sensor
- Customized configurations of the pressure controller possible
- Very high measuring rate
- Colour touchscreen, LED backlight
- Easily calibrated
- Modular construction
- Fully digital measuring instrument
- Automatic generation of test certificates with optional calibration software DynaCal

### Description

#### Functionality

This instrument stands out due to its precision sensor, that combines maximum precision with highest long-term stability. The DPC 3800 HD achieves a control stability of 0.003 % of the pressure range.

The instrument is operated intuitively via touchscreen. All extended functions are accessible via submenus.

#### Software

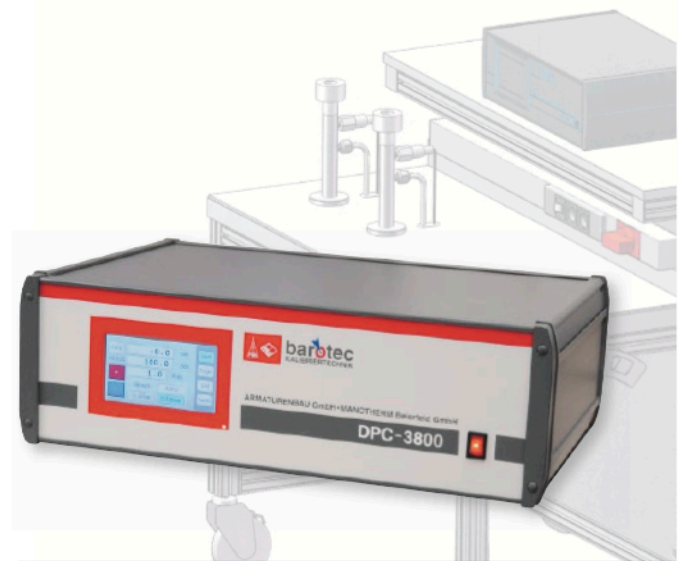
Besides the optionally available calibration software DynaCal, which allows for comfortable calibration of pressure measuring instruments, including automatic generation of test certificates, the user is able to create own software programmes, e.g. via LabVIEW®.

#### Communication

For integration in already existing infrastructures a RS-232, ethernet, or optionally IEEE-488.2 interface or an analogue output is available. Customer-specific control commands can be translated.

#### Complete Testing and Calibration Systems

Completely mobile or stationary test benches can be manufactured upon request.



### Technical Data

#### Pressure Ranges

Gauge pressure (bar) 0 – 400; 0 – 600; 0 – 1000;

#### Pressure Units

23 and 1 freely programmable

#### Instrument Version

table-top housing and hydraulic cabinet, further options see back of page

#### Dimensional Data

see back of page

#### Weight

approx. 7.0 kg (15.43 lb)  
+ 45 kg (99.2 lb) hydraulic cabinet

#### Display

Screen division: actual value, reference value, steps  
Resolution: 6 digits  
Keyboard: colour touchscreen  
Warm-up time: < 10 minutes  
Response time: approx. 10 ms

#### Pressure Range

1 pressure range

#### Pressure Connections

M 16x1.5 high pressure screw fitting  
optional: G ½ quick clamp adapter

#### Medium

Water as standard, optional: oil

#### Overrange protection

140 % of the pressure range  
optional: mechanical overpressure protection

#### Power Supply

Auxiliary energy 88 – 264 V AC, 47 – 63 Hz

#### Compressed Air Supply

≥ 10 bar

#### Permissible Ambient Conditions

Operating temperature: +10 to +40 °C (+50 to +104 °F)  
Storage temperature: 0 to +70 °C (+32 to +158 °F)  
consider frost protection when water is the pressure medium  
Relative humidity: 0 to 95 % r. h. (non-condensing)  
Compensated temperature range: +15 to +35 °C (+59 to +95 °F)

## Technical Data (continued from page 1)

### Communication

Interfaces: RS-232, Ethernet

### Optional

Interface: IEEE-488.2

Analogue output: 0 – 1 V; 0 – 5 V; 0 – 10 V or 4 – 20 mA (16 bit)

Switching outputs: 24 V DC PWM or TTL level

Analogue inputs: 4 – 20 mA or 0 – 10 V, others upon request

### Instruction Sets

DPC 3800 HD, alternative instruction sets possible, alignment to existing HOST software upon request

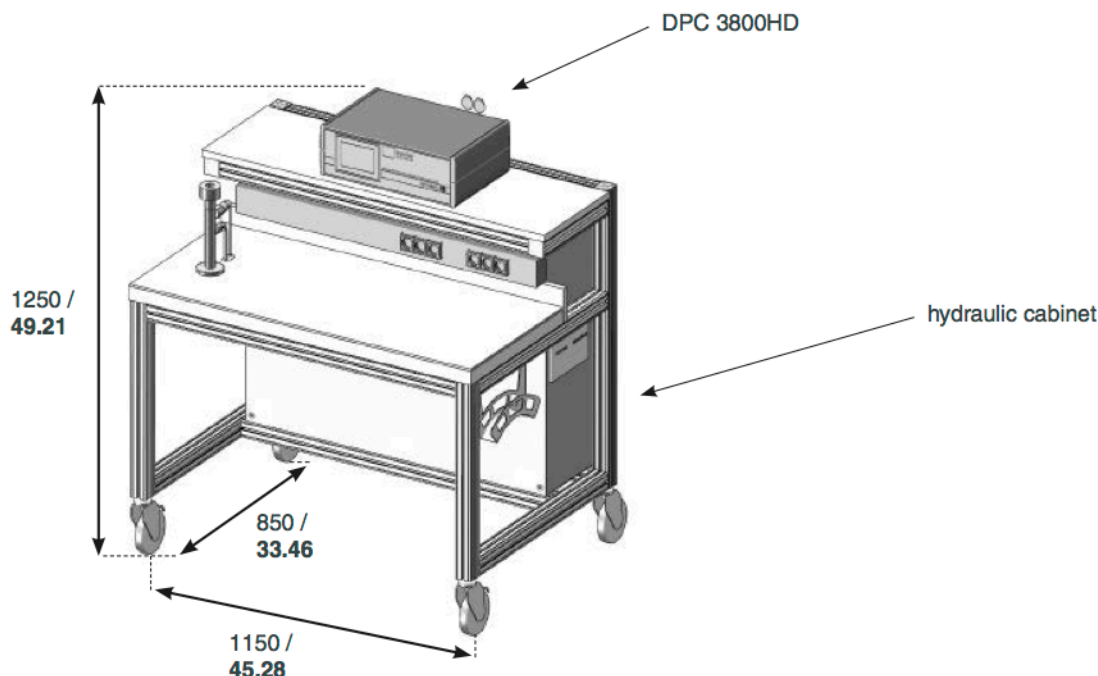
### Approvals and Certificates

EMC-directive 2004 / 108 / EG, EN 61 326-1 emission (group 1, class A) and stability (industrial sector);

Calibration certificate 3.1 according to DIN EN 10204, optional internationally traceable calibration certificate (e.g. DAkkS)

## Dimensional Data in mm / inch

### Recommended Instrument Version: Calibration Work Station



### Further Options

The DPC 3800 HD has 4 switching outputs that can be used for options. Furthermore, up to four precision sensors can be actuated.

#### Option M

The following features were integrated

- On and off switch for a vacuum pump
- Internal separation of regulator and test item
- An additional ventilation valve for the test item side

This option is suitable, for example, for pressure gauge adjustment.

#### Option Vac

With this option, a 24 V signal can be actuated, in order to switch a vacuum pump on or off, for example.

#### Calibration Work Station

Extensions of the standard version

- 1 work bench
- 1 desk with wheels
- 1 complete high pressure piping

### Scope of Delivery (Basic Equipment)

- Precision pressure controller / calibrator in table-top housing
- Hydraulic cabinet
- Mains cable 1.5 m
- Operating instruction
- Calibration certificate 3.1 according to DIN EN 10204

### Ordering Information

Model DPC 3800 HD, 1 pressure range, options if required