

MGC1 & MGC2

Manual Gas Pressure Controller

Manual Gas Controller

Calibration of pressure instruments,
pressure gauges and transducers

Range: -0.9 to 200 bar



Technical Specification

Range:

MGC1: -0.9 – 7 bar ; 0 – 200 bar

MGC2: 0 – 200 bar

Fluid:

Nitrogen or clean and dry air

Material:

Tube and fittings: 200 bar - copper/brass

Frame: aluminium

Case: alloy epoxy painted steel

Volume adjuster:

MGC1: movable back/forward : over 110mm

MGC2: fixed with trust-bearing (needle bearing)

Scope of delivery

- Manual pressure controller
- 2 fast connectors 1/2" BSP F
- Instruction and installation manual

Dimensions

420 x 420 x 200 mm

Weight

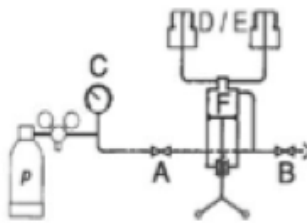
20 kg

Accessories / Options

Toolkit:

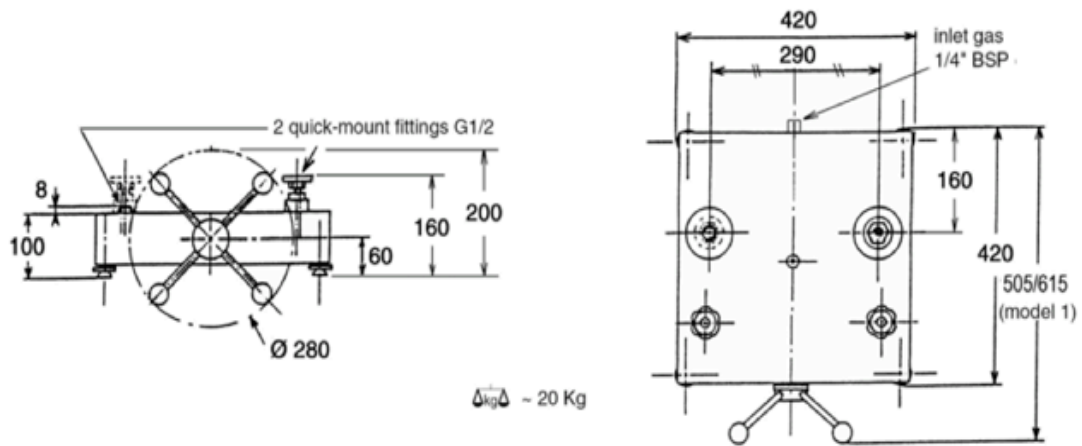
- 1/2", 1/4" BSP female adapter
- 2 single-spanners
- 1 pointer-punch and remover
- 1 hammer 1 seal kit

Air pressure generator



The pressure generator should be used with nitrogen or alternatively with CLEAN and DRY gas (p). It has been fitted with two needle-valves: one for inlet pressure (A) or vacuum pressure (with a vacuum pump) and the other for outlet (B). Two fittings (D/E) are designed to mount the devices to be compared. The variable volume (F) varies by turning the volume adjuster and allows a fine pressure setting. The pressure setting is made in addition through inlet and outlet needle valves adjustment A and B). The input pressure is controlled with a pressure gauge (C).

Drawings



We reserve the rights to alter at any time the technical specifications without notice